

NORMACLAMP® – Hose Clamps

NORMACLAMP® COBRA – One-piece hose clips

The low profile of NORMACLAMP® COBRA one-piece clips allows the exact fitting even in very narrow assembly conditions.

The fitting is fast and easy.

Short description of technical features



1 Self-adjusting diameter = compensation for tolerances in the hose outside diameter

2 Bead = safe guidance of the band

3 Colour code = different nominal diameters can be quickly distinguished

4 Protruding tool gripping points = simple and safe assembly

5 Marking: Production date and machine number

6 Single lock-in point = visual check for correct assembly without difficulties

7 Clamp band with rounded edges = hose protection

Materials

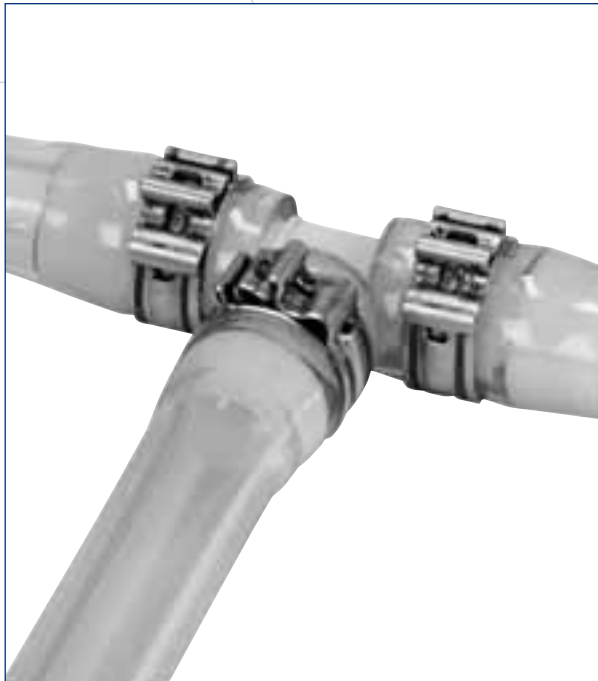
W1*	W2	W3	W4	W5
			x	

* No chromium VI used for surface treatment

NORMACLAMP® – Hose Clamps

Corrosion resistance

Material	Corrosion resistance in salt spray testing
W4	Min. 240 h



The advantages at a glance

- One-piece hose clip
- Fast and easy fitting
- Maintenance-free fit

NORMACLAMP® – Hose Clamps

NORMA®-Professional Assembly Tools

For professional assembly work we offer you the following range of tools:



NORMACLAMP® COBRA hand-held pliers

The hand-held pliers allow accurate assembly and disassembly operations. The tips of the pliers precisely fit the gripping points on the clamp. The integrated spring element keeps the pliers open, thus permitting comfortable and fast working.



NORMACLAMP® COBRA pneumatic pliers

The pneumatic pliers, available in a 0° version (Fig. 1), an extended 0° version (Fig. 2) and a 90° version (not shown), are the ideal tools for industrial use. Assembly operations in large volume production are no problem with these pliers.



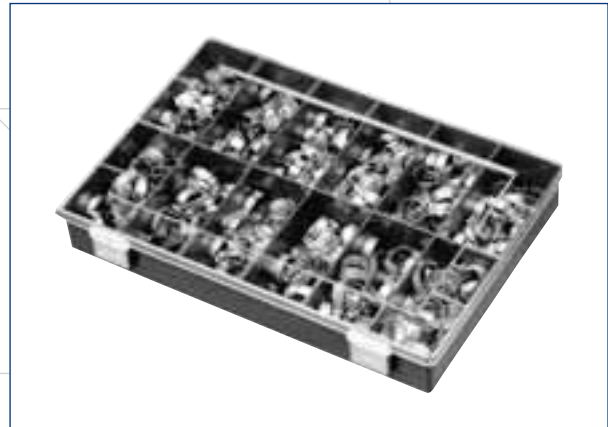
NORMACLAMP® – Hose Clamps

Workshop assortment

The workshop assortment contains a customised variety of NORMACLAMP® COBRA hose clamps arranged in a plastic display box.

One box contains 500 NORMACLAMP® COBRA made from stainless chrome nickel steel in 7 mm and 8 mm band widths and sorted in different quantities as follows:

- 30 x COBRA 7.5/7
- 25 x COBRA 8/7
- 25 x COBRA 8.5/7
- 25 x COBRA 9/7
- 25 x COBRA 9.5/7
- 25 x COBRA 10/7
- 25 x COBRA 10.5/7
- 25 x COBRA 11/7
- 25 x COBRA 11.5/7
- 25 x COBRA 12/8
- 30 x COBRA 13/8
- 30 x COBRA 14/8
- 30 x COBRA 15/8
- 30 x COBRA 16/8
- 30 x COBRA 17/8
- 30 x COBRA 18/8
- 30 x COBRA 19/8
- 30 x COBRA 21/8



Applications in the automotive industry

- Suction lines
- Fuel ventilation lines

NORMACLAMP® – Hose Clamps

Survey of sizes, band widths & materials NORMACLAMP® COBRA

Band width (mm)	Description Nominal diameter d ₁	Clamping Range D _a (hose outside-Ø)		Packaging IC	W4	Colour Code
		in mm	in Inches			
7	COBRA 7.5/7 W4	8.0–9.0	5/16–3/8	1000	X	White
7	COBRA 8/7 W4	8.5–9.5	5/16–3/8	1000	X	Yellow
7	COBRA 8.5/7 W4	9.0–10.0	3/8–3/8	1000	X	Green
7	COBRA 9/7 W4	9.5–10.5	3/8–3/8	1000	X	Purple
7	COBRA 9.5/7 W4	10.0–11.0	3/8–7/16	1000	X	Black
7	COBRA 10/7 W4	10.5–11.5	3/8–7/16	1000	X	White
7	COBRA 10.5/7 W4	11.0–12.0	7/16–1/2	1000	X	Yellow
7	COBRA 11/7 W4	11.5–12.5	7/16–1/2	1000	X	Green
7	COBRA 11.5/7 W4	12.0–13.0	1/2–1/2	1000	X	Purple
8	COBRA 11.5/8 W4	12.0–13.5	1/2–1/2	1000	X	Purple
8	COBRA 12/8 W4	12.5–14.0	1/2–9/16	1000	X	Black
8	COBRA 13/8 W4	13.5–15.0	1/2–5/8	1000	X	Yellow
8	COBRA 14/8 W4	14.5–16.0	9/16–5/8	1000	X	Purple
8	COBRA 15/8 W4	15.5–17.0	5/8–11/16	1000	X	White
8	COBRA 16/8 W4	16.5–18.0	5/8–3/4	1000	X	Green
8	COBRA 17/8 W4	17.5–19.0	11/16–3/4	1000	X	Black
8	COBRA 18/8 W4	18.5–20.0	3/4–13/16	1000	X	Yellow
8	COBRA 19/8 W4	19.5–21.0	3/4–13/16	1000	X	Purple
8	COBRA 20/8 W4	20.5–22.0	13/16–7/8	1000	X	White
8	COBRA 21/8 W4	21.5–23.0	13/16–7/8	1000	X	Green
8	COBRA 22/8 W4	22.5–24.0	7/8–15/16	1000	X	Black
8	COBRA 23/8 W4	23.5–25.0	7/8–1	1000	X	Yellow
8	COBRA 24/8 W4	24.5–26.0	15/16–1 1/16	1000	X	Purple
8	COBRA 25/8 W4	25.5–27.0	1–1 1/16	1000	X	White
8	COBRA 26/8 W4	26.5–28.0	1 1/16–1 1/8	1000	X	Green
8	COBRA 27/8 W4	27.5–29.0	1 1/16–1 1/8	1000	X	Black
8	COBRA 28/8 W4	28.5–30.0	1 1/8–1 3/16	1000	X	Yellow
8	COBRA 29/8 W4	29.5–31.0	1 1/8–1 1/4	1000	X	Purple
8	COBRA 30/8 W4	30.5–32.0	1 3/16–1 1/4	1000	X	White

Larger diameters will be supplied on request in band width 9 mm.

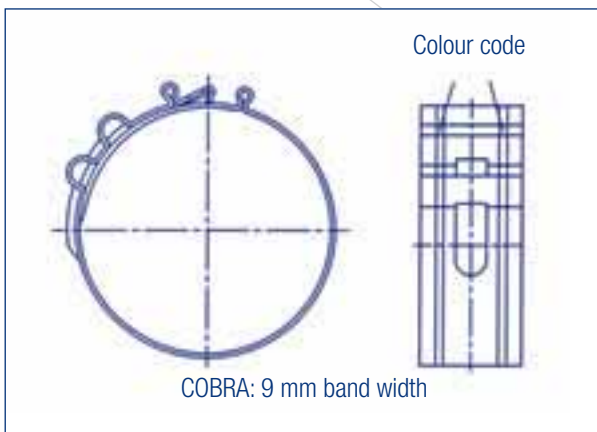
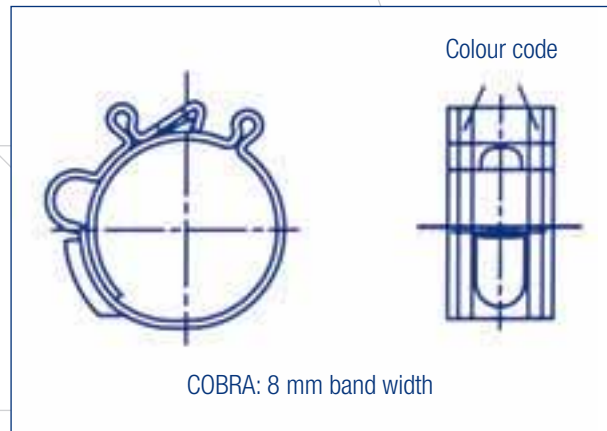
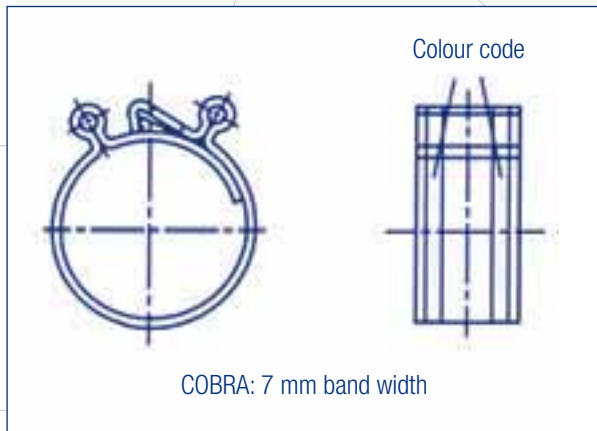
Enquiries/ordering:

When making enquiries or placing orders please indicate as follows:

	1. Type	2. Nominal-diameter	3. Band width	4. Material
Example	COBRA	7,5/	7	W4

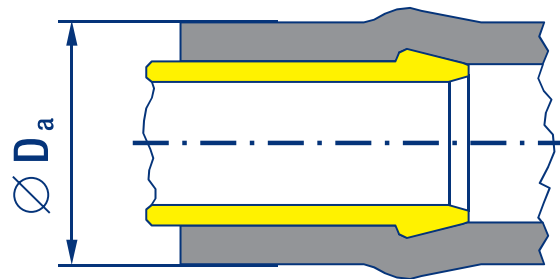
NORMACLAMP® – Hose Clamps

Colour Coding



How to determine the correct nominal diameter

- Slide the hose onto the spigot and measure the **Outside Diameter D_a** .
- The **Nominal Diameter d_1** matching the outside diameter D_a of the hose can then be taken from the table.



Please do not hesitate to ask for samples prior to ordering nor to ask for advice if you have further questions concerning possible applications.